

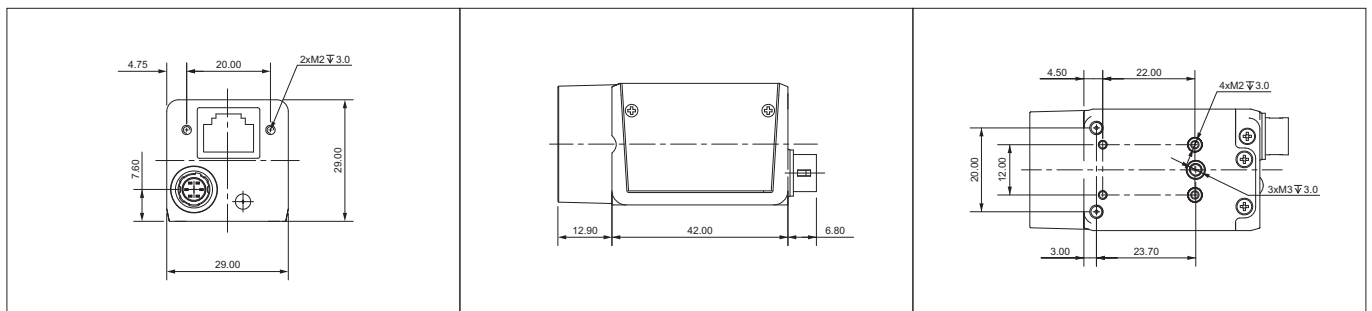


### Model & Parameter

Model	Sensor	Sensor Type	Shutter	Resolution	Max Frame rate (fps)	Monochrome / Colorful	Pixel size (μm)	Sensor size
OPT-CM/CC30-GM-04	PYTHON 300	CMOS	Global	640x480	300	m/c	4.8	1/4"
OPT-CM/CC130-GH-04	RJ33J4/3CA0DT	CCD	Global	1280x960	30	m/c	3.75	1/3"
OPT-CM/CC200-GM-04	PYTHON 2000	CMOS	Global	1920x1200	50	m/c	4.8	2/3"
OPT-CM/CC600-GL-04	IMX 178	CMOS	Rolling	3072x2048	18	m/c	2.4	1/1.8"
OPT-CM1000-GL-04	MT9J003	CMOS	Rolling	3856x2764	10	m	1.67	1/2.3"
OPT-CM130-GME-04	PYTHON 1300	CMOS	Global	1280x1024	60	m	4.8	1/2"

Model	CM/CC30-GM-04	CM/CC130-GH-04	CM/CC200-GM-04	CM/CC600-GL-04	CM1000-GL-04	CM130-GME-04
Image format	Monochrome: Mono8/10/10p; Colorful: Mono8,BayerRG8/10/10p,BayerGB8/10/10p,RGB8p,YUV422p					
Interface	GigE (surpport PoE)					
Trigger way	via Software/ Hardware					
Shutter time	16μs~1s	33.6μs~1s	16μs~1s	208.6μs~1s	34μs~1s	16μs~1s
Dimension	29mm*29mm*42mm (connector not included)			29mm*29mm*29mm (connector not included)		
Temperature	Storage temperature: -30℃ - 80℃; Operating temperature: -30℃ - 50℃					
Digital I/O	6 Pin Hirose interface:1 opto-isolated input, 1 opto-isolated output					
Power supply	via POE / Hirose interface, 6V~26V DC			Via Hirose interface, 6V~26V DC		
Weight	88g			60g		
Certificate	CE, FCC, UL, RoHS					
OS	Support windows XP SP3 system, WIN7 SP1, WIN8, WIN10					
Standard	Gige Vision 2.0, GenICam					

### Dimensional Drawing





## Parameter

Model	Sensor	Sensor type	Shutter	Resolution	Max Frame rate(fps)	Monochrome / Colorful	Pixel size(μm)	Sensor size
OPT-CM130-GME-04	PYTHON 1300	CMOS	Global	1280x1024	60	m	4.8	1/2"

Model	OPT-CM130-GME-04
Image format	Monochrome: Mono8/10/10p
Interface	GigE
Trigger mode	software-triggered / hardware-triggered / free -running
Shutter time	16μs~1s
Dimension	29mm*29mm*29mm (connector not included)
Temperature	Storage temperature: -30°C - 80°C; Working temperature: -30°C - 50°C
Digital I/O	6 pin Hirose interface: 1opto-isolated input,1opto-isolated output,1input / output without opto-isolated
Power supply	Via hirose interface,6V~26V DC
Weight	60g
Certificate	CE, FCC, UL, RoHS
OS	Support windows XP SP3 system, WIN7 Sp1, WIN8, WIN10
Standard	Gige Vision 2.0, GenICam

## Dimensional Drawing

