
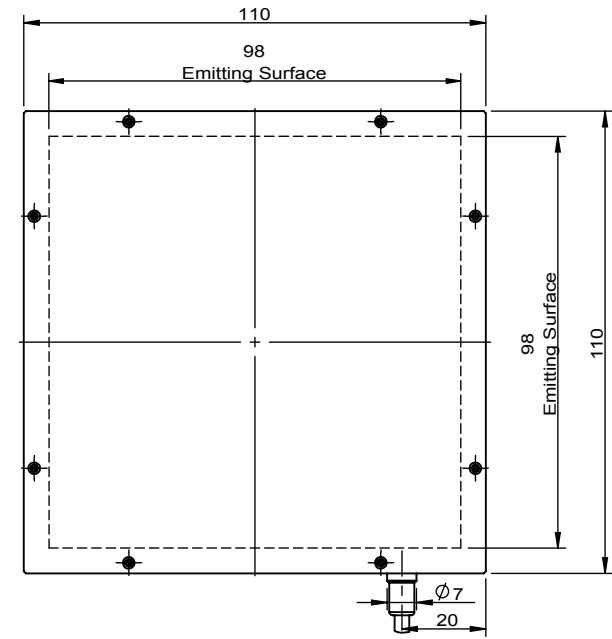
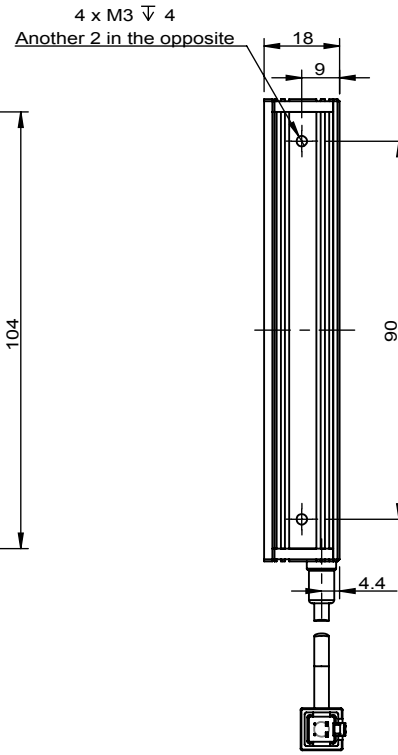
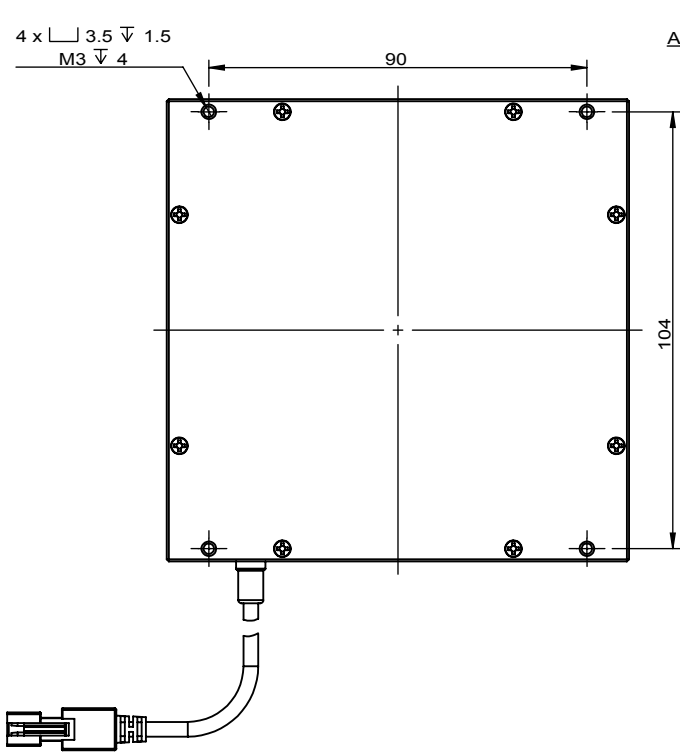
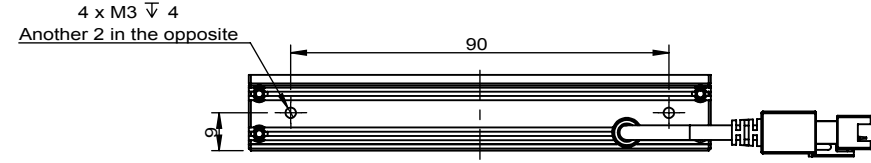
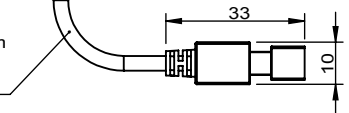



Model	Color	Voltage	Power
OPT-FLP110110-R	Red	24V	9.7W
OPT-FLP110110-G	Green	24V	8.8W
OPT-FLP110110-B	Blue	24V	10.5W
OPT-FLP110110-W	White	24V	11.4W

JST SMR-02V-B, 2 Pin or Compactible Connector		Pin	Polarity	Wire Color
	2	1	+	Red
		2	-	Black



Minimum Bending Radius : 20mm
 Length: 800±20mm
 Connector: JST SMR-02V-B



View Angle	Remark	Item	Signature	Date			
	Advised Controller: OPT-AP1024F OPT-DPA1024E OPT-DPA2024E	Drawing					
Standard Difference		Design					
IT14		Check					
		Approve					
		Paper Size	A ₄				
Revised Date	2018-08-30	Scale	1:1.8	Page	1/1 Total Page	Version	V2.0



OPT-FLP110110-X

Copyright © 2011 by OPT
 All Rights Reserved

Drawing Code	KFBZ20180828KF0501
--------------	--------------------