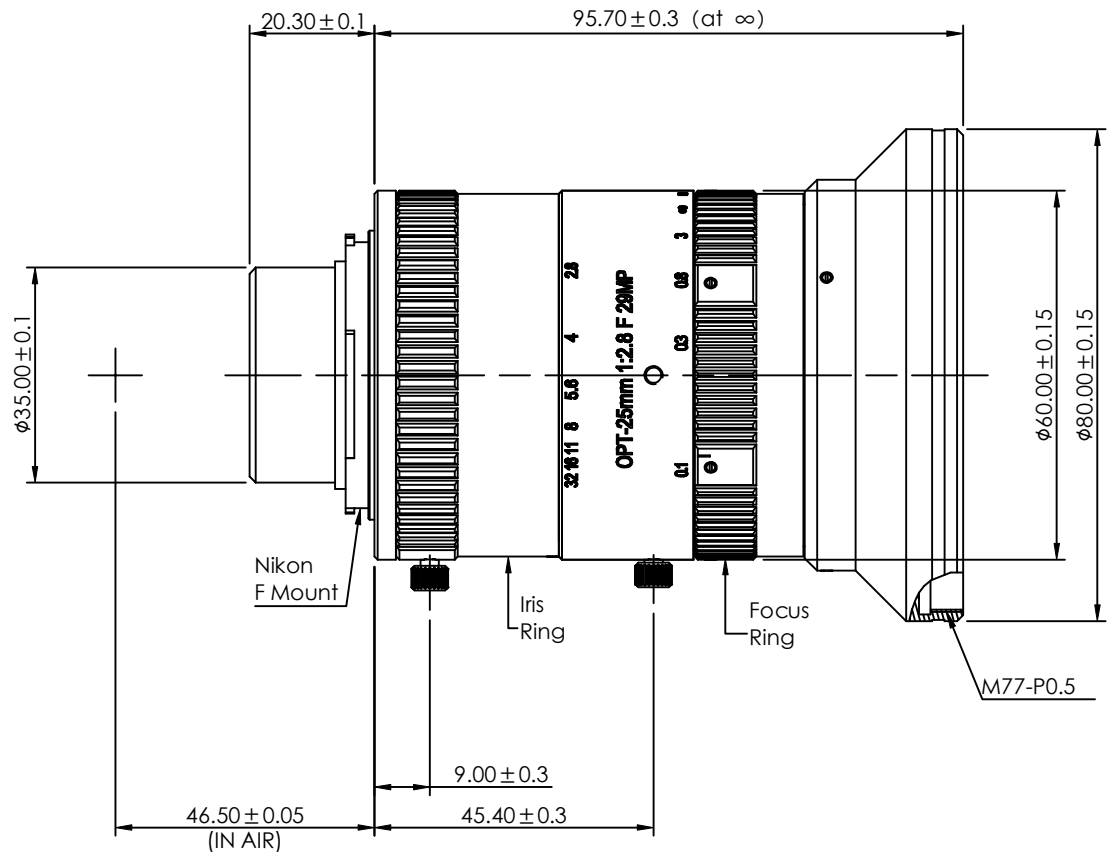



A		B		C		D	
Optical Specification							
Model	OPT-F2528-29M-V2.0						
Resolution	29M Pixel						
Mount	F Mount						
Focal Length	25mm						
Working Distance	0.14m~∞						
Adjustion Type	Manual						
f-stops	F2.8						
F NO.	F2.8-F32						
Field Angle	H=44mm	84°					
	H=35mm	71.3°					
	H=23mm	50°					
	H=16mm	36°					
	H=11mm	24.9°					
	H=8mm	18.1°					
Distortion	< 0.9%						
Back Focal Length	26.4mm						
Size	Ø80 × 95.7mm						
Filter	M77 × 0.75						
Working Temperature	-20°C ~ +60°C						



3	
---	--

4	
View Angle	
Standard Difference	
Copyright © 2011 by OPT All Rights Reserved	IT14
Drawing Code	KDBZ20171121K05022

View Angle	Remark	Item	Signature	Date
		Drawing		
		Design		
		Check		
		Approve		
		Paper Size	A4	
		Revised Date	2017-10-14	


**OPT Machine Vision Co., Ltd.**

OPT-F2528-29M-V2.0

Scale	1:1	Page	1/1 Total Page	Version
-------	-----	------	----------------	---------