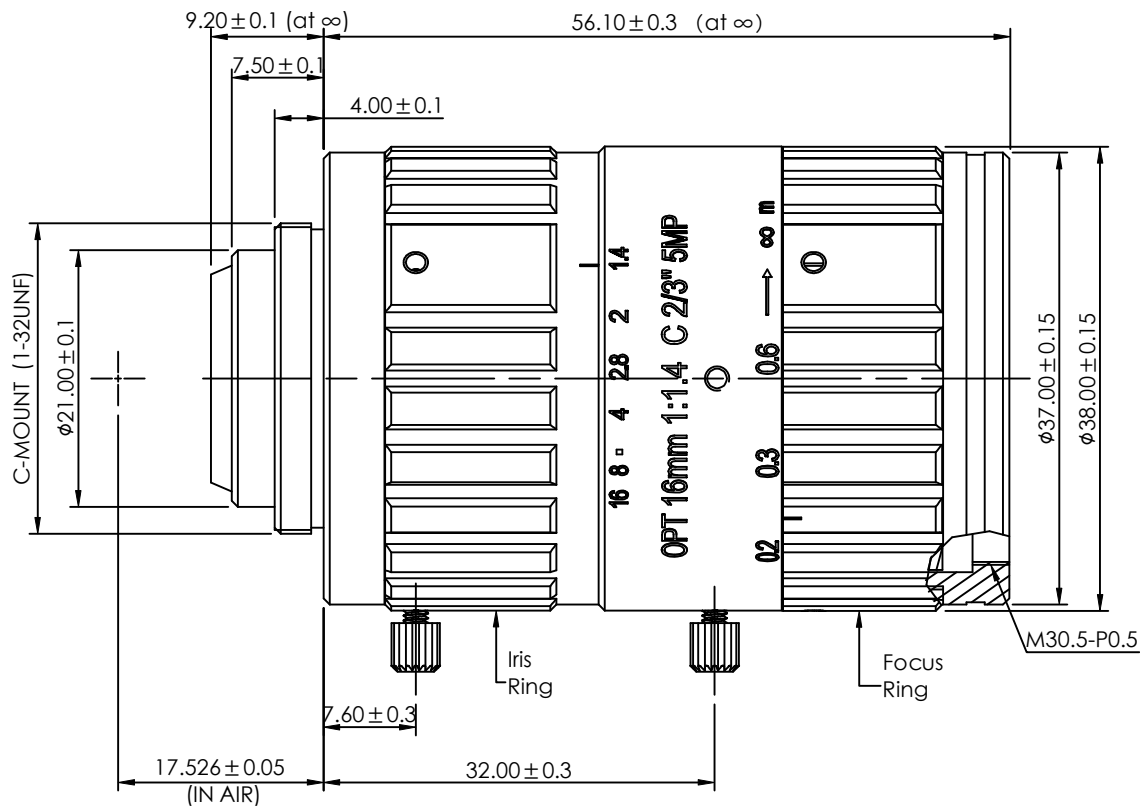



A		B		C		D	
Optical Specification							
Model		OPT-C1614-5M-V2.0					
Resolution		5M Pixel					
Mount		C Mount					
Sensor		2/3"					
Focal Length		16mm					
Pixel Size		3.45μm					
Adjustion Type		Manual					
F NO.		F1.4-F16					
Field Angle	2/3" (Diagonal)	38°					
	2/3" (Horizontal)	30.7°					
	2/3" (Vertical)	23.2°					
	1/2" (Diagonal)	28.2°					
	1/2" (Horizontal)	22.4°					
	1/2" (Vertical)	16.9°					
Distortion		< 0.56%					
Back Focal Length		8.93mm					
Size		Ø38 × 56.1mm					
Filter		M30.5 × 0.5					
Working Temperature		-20°C ~ +60°C					



View Angle		
Standard Difference		
Copyright © 2011 by OPT All Rights Reserved		IT14
Drawing Code	KDBZ20171121K05011	

View Angle	Remark	Item	Signature	Date
		Drawing		
		Design		
		Check		
		Approve		
		Paper Size	A4	
		Revised Date	2017-10-14	


OPT Machine Vision Co., Ltd.

OPT-C1614-5M-V2.0

Scale	1:1	Page	1/1 Total Page	Version
-------	-----	------	----------------	---------