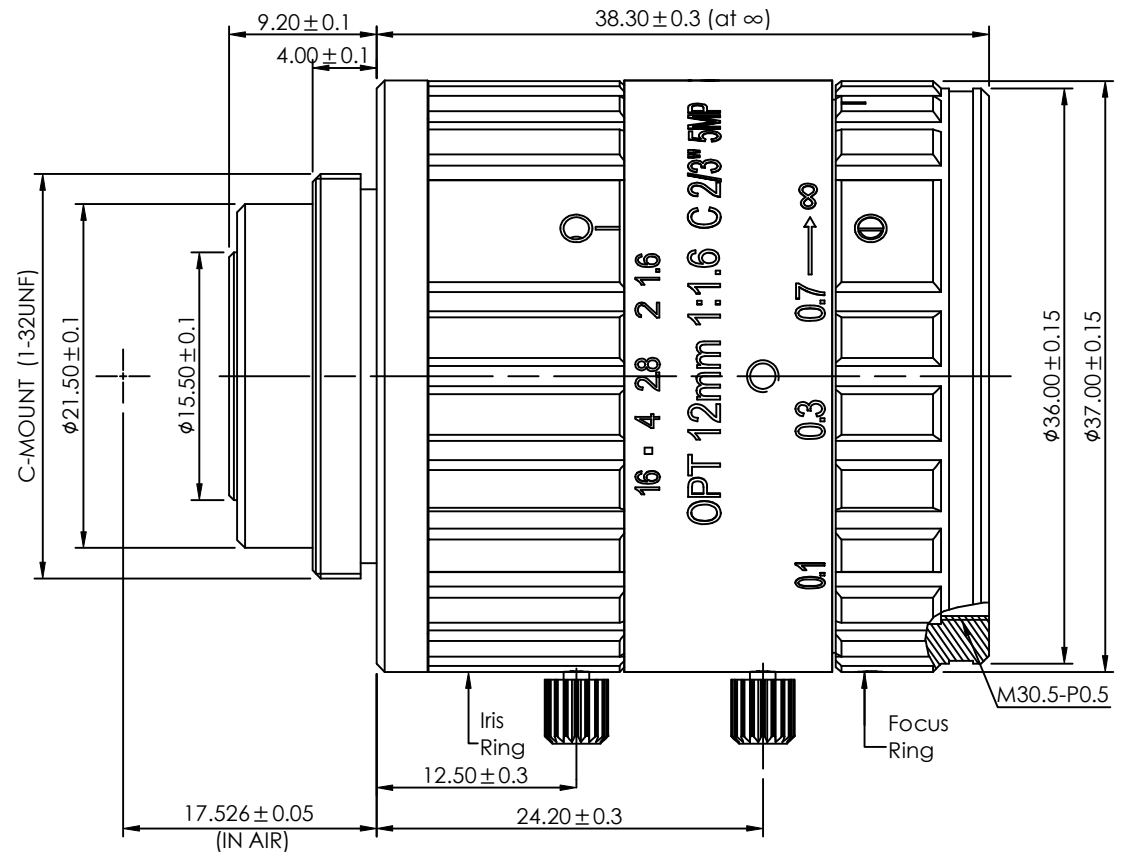


A		B		C		D	
Optical Specification							
Model		OPT-C1216-5M-V2.0					
Resolution		5M Pixel					
Mount		C Mount					
Sensor		2/3"					
Focal Length		12mm					
Pixel Size		3.45μm					
Adjustion Type		Manual					
F NO.		F1.6-F16					
Field Angle	2/3" (Diagonal)	49.1°					
	2/3" (Horizontal)	40.2°					
	2/3" (Vertical)	30.6°					
	1/2" (Diagonal)	37°					
	1/2" (Horizontal)	29.6°					
	1/2" (Vertical)	22.4°					
Distortion		< 0.55%					
Back Focal Length		8.72mm					
Size		Ø37 × 38.3mm					
Filter		M30.5 × 0.5					
Working Temperature		-20°C ~ +60°C					



3	
---	--

4	
View Angle	
Standard Difference	
Copyright © 2011 by OPT All Rights Reserved	IT14
Drawing Code	KDBZ20171121K05010

View Angle	Remark	Item	Signature	Date
		Drawing		
		Design		
		Check		
		Approve		
		Paper Size	A4	
		Revised Date	2017-10-14	

OPT Machine Vision Co.,Ltd.

OPT-C1216-5M-V2.0

Scale	Page	1/1 Total Page	Version
1:1			