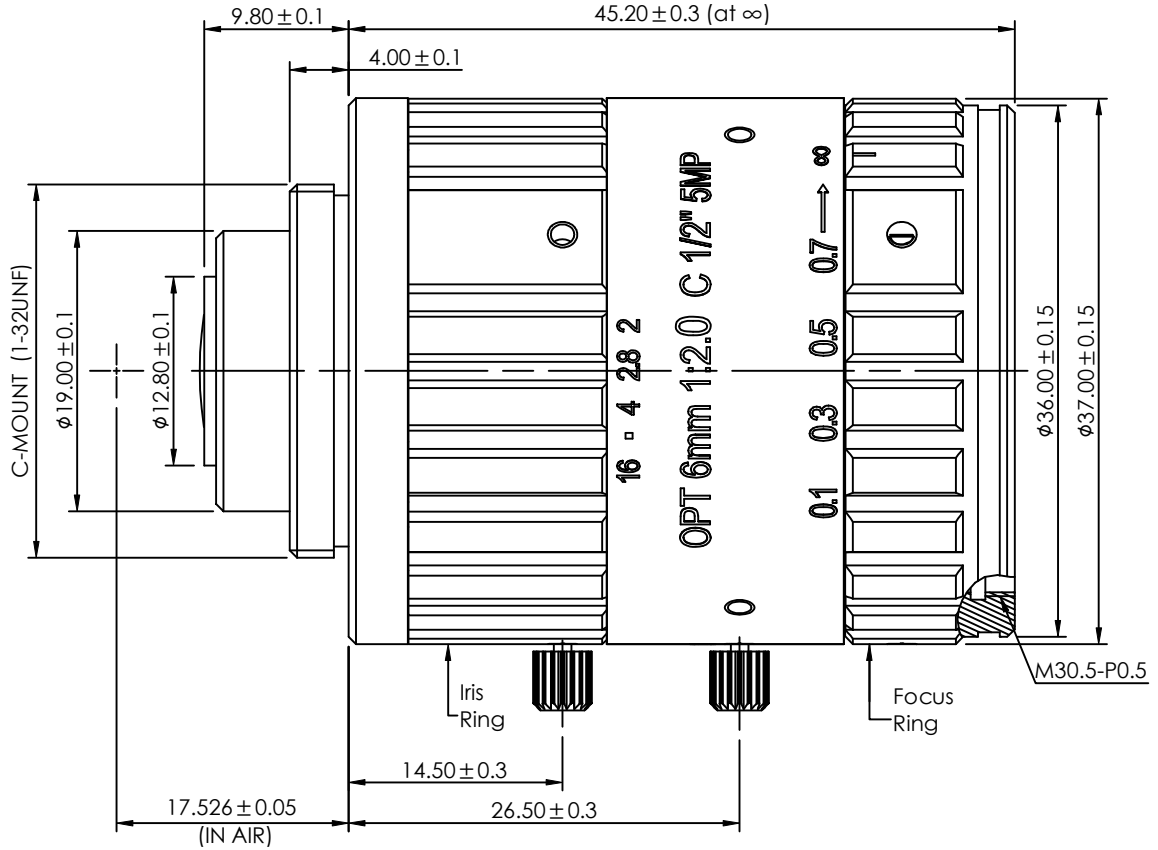


A		B		C		D	
Optical Specification							
Model	OPT-C0620-5M-V1.1						
Resolution	5M Pixel						
Mount	C Mount						
Sensor	1/2"						
Focal Length	6mm						
Pixel Size	3.45μm						
Adjustion Type	Manual						
F NO.	F2.0-F16						
Field Angle	1/3" (Diagonal)	53.6°					
	1/3" (Horizontal)	44°					
	1/3" (Vertical)	33.5°					
	1/2" (Diagonal)	67°					
	1/2" (Horizontal)	56.6°					
	1/2" (Vertical)	44°					
Distortion	< 1.05%						
Back Focal Length	7.44mm						
Size	Ø37 × 45.2mm						
Filter	M30.5 × 0.5						
Working Temperature	-20°C ~ +60°C						



1	
2	
3	

4	
---	--

View Angle	Remark	Item	Signature	Date	OPT Machine Vision Co.,Ltd.				
		Drawing			OPT-C0620-5M-V1.1				
Standard Difference		Design							
		Check							
		Approve							
		Paper Size	A4						
Copyright © 2011 by OPT All Rights Reserved	IT14	Revised Date	2017-10-14		Scale	1:1	Page	1/1 Total Page	Version
Drawing Code	KDBZ20171121K05008								