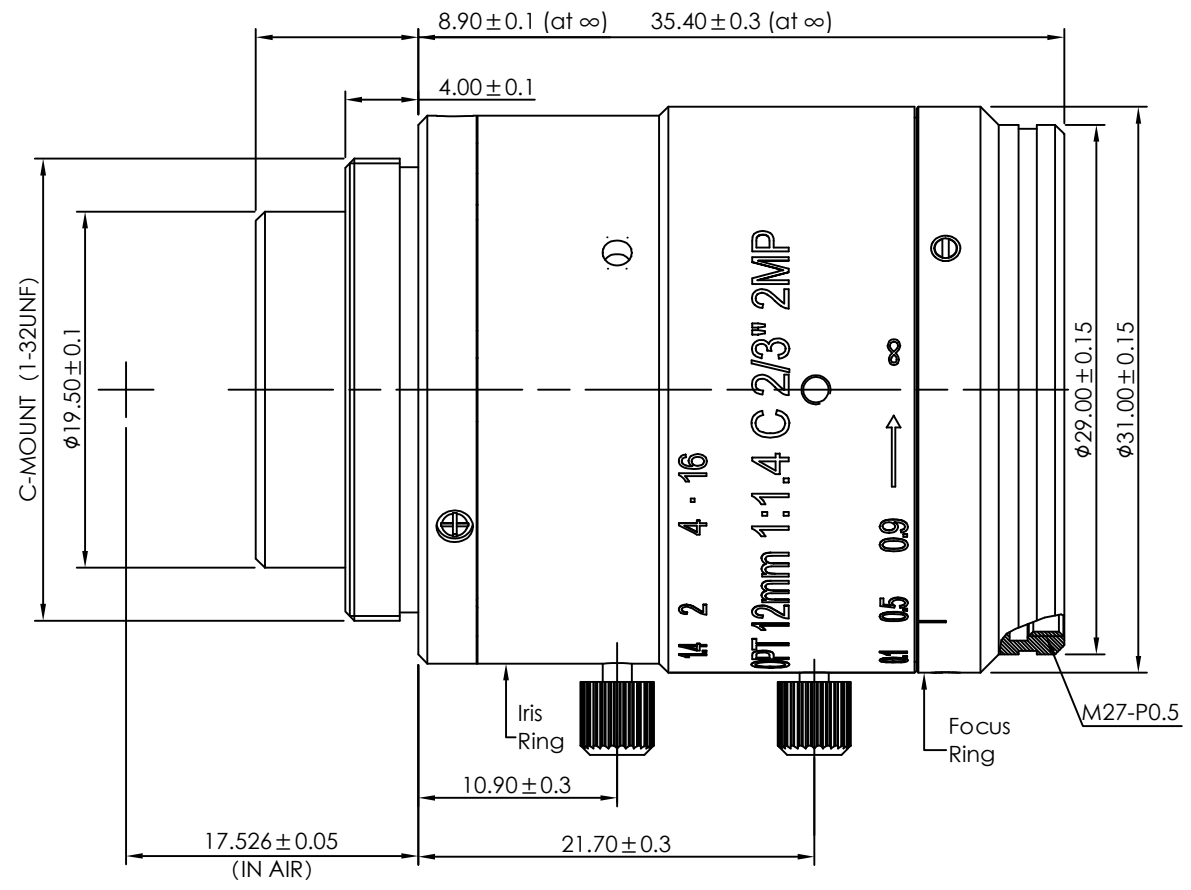



Optical Specification		
Model	OPT-C1214-2M-V1.0	
Resolution	2M Pixel	
Mount	C Mount	
Sensor	2/3"	
Focal Length	12mm	
Pixel Size	5 μm	
Adjustion Type	Manual	
F NO.	F1.4-F16	
Field Angle	2/3" (Diagonal)	49.5°
	2/3" (Horizontal)	40.2°
	2/3" (Vertical)	30.5°
	1/2" (Diagonal)	37°
	1/2" (Horizontal)	29.6°
	1/2" (Vertical)	22.4°
Distortion	< 2.8%	
Back Focal Length	9.33mm	
Size	Ø31 × 35.4mm	
Filter	M27 × 0.5	
Working Temperature	-20°C~+60°C	



View Angle	Remark	Item	Signature	Date
		Drawing		
Standard Difference		Design		
IT14		Check		
		Approve		
		Paper Size	A4	
Drawing Code	KDBZ20171120K05004	Revised Date	2017-10-14	


**OPT Machine Vision Co.,Ltd.**

OPT-C1214-2M-V1.0

Scale	1:1	Page	1/1 Total Page	Version	
-------	-----	------	----------------	---------	--