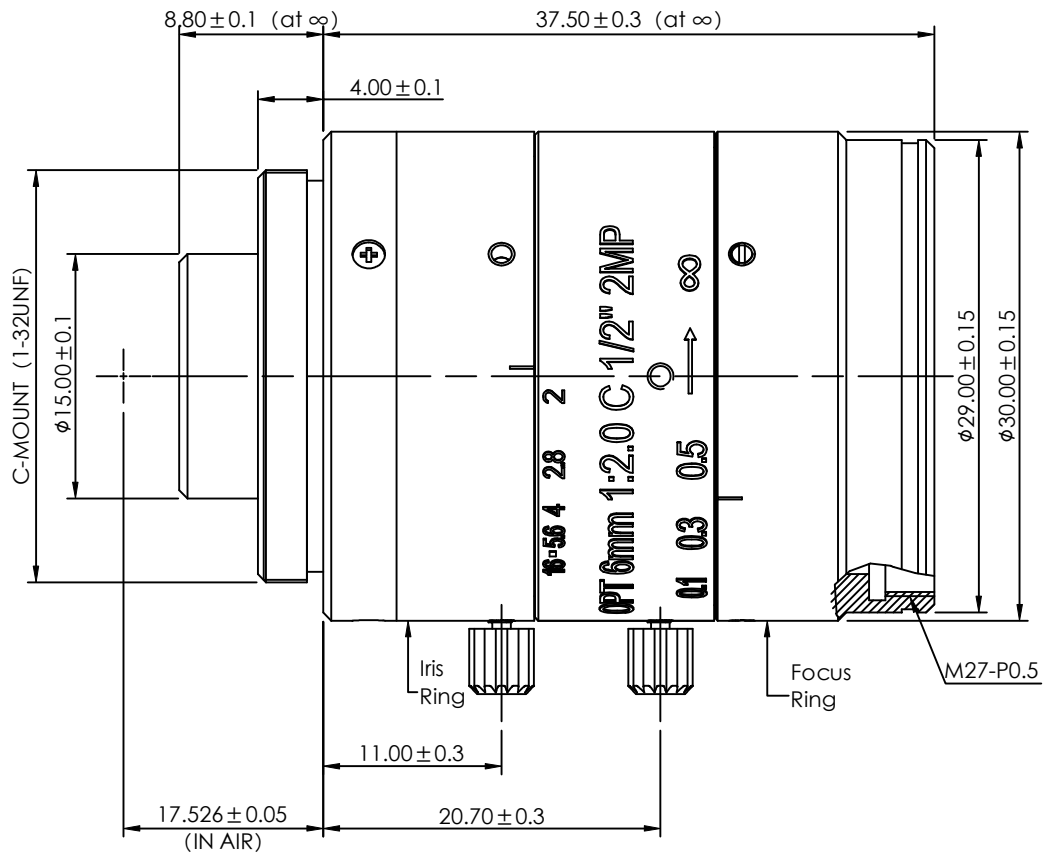



A		B		C		D	
Optical Specification							
Model		OPT-C0620-2M-V1.0					
Resolution		2M Pixel					
Mount		C Mount					
Sensor		1/2"					
Focal Length		6mm					
Pixel Size		5 μm					
Adjustion Type		Manual					
F NO.		F2.0-F16					
Field Angle	2/3" (Diagonal)	50.1°					
	2/3" (Horizontal)	41°					
	2/3" (Vertical)	31.4°					
	1/2" (Diagonal)	63.5°					
	1/2" (Horizontal)	53°					
	1/2" (Vertical)	41°					
Distortion		< 1.2%					
Back Focal Length		9.15mm					
Size		Ø30 × 37.5mm					
Filter		M27 × 0.5					
Working Temperature		-20°C ~ +60°C					



3	
---	--

4	
View Angle	
Standard Difference	
Copyright © 2011 by OPT All Rights Reserved	IT14
Drawing Code	KDBZ20171120K05002

View Angle	Remark	Item	Signature	Date
		Drawing		
		Design		
		Check		
		Approve		
		Paper Size	A4	
		Revised Date	2017-10-14	


OPT Machine Vision Co., Ltd.

OPT-C0620-2M-V1.0

Scale	1:1	Page	1/1 Total Page	Version
-------	-----	------	----------------	---------