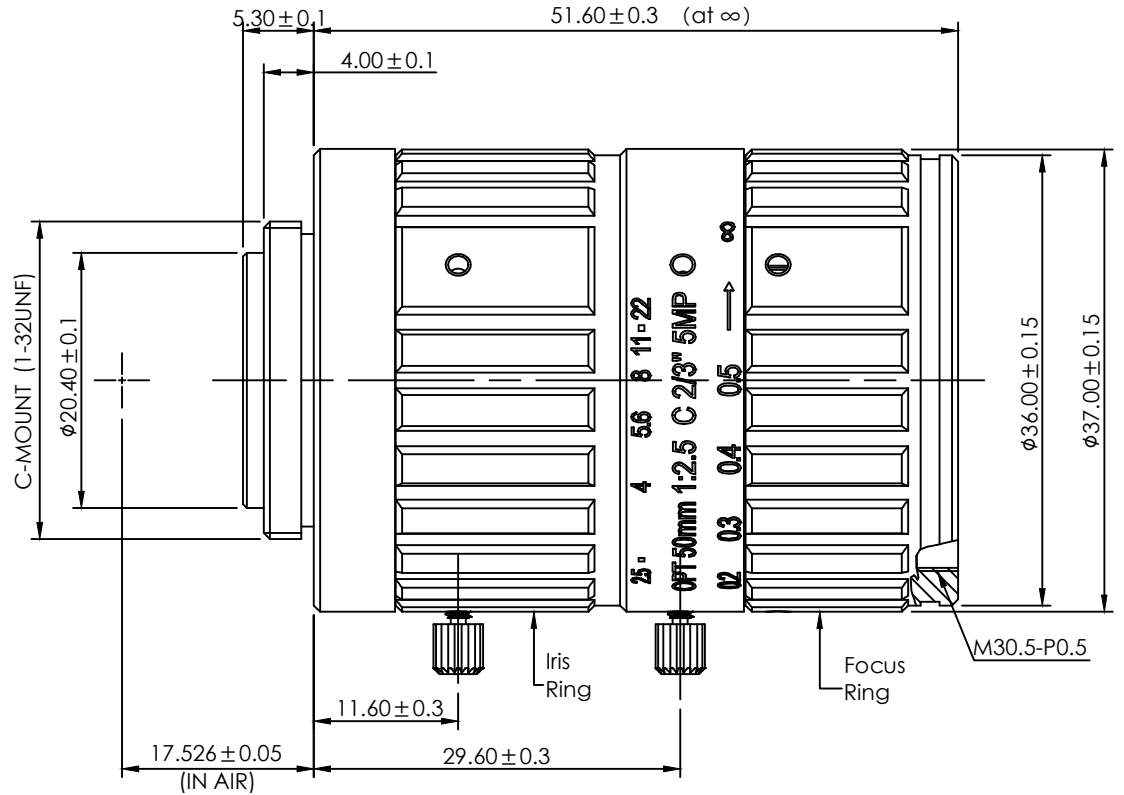


Optical Specification		
Model	OPT-C5025-5M-LW	
Resolution	5M Pixel	
Mount	C Mount	
Sensor	2/3"	
Focal Length	50mm	
Pixel Size	3.45μm	
Adjustion Type	Manual	
F NO.	F2.5-F22	
Field Angle	2/3" (Diagonal)	12.5°
	2/3" (Horizontal)	10°
	2/3" (Vertical)	7.6°
	1/2" (Diagonal)	9.2°
	1/2" (Horizontal)	7.3
	1/2" (Vertical)	5.5°
Distortion	< 0.1%	
Back Focal Length	13.185mm	
Size	Ø37×51.6mm	
Filter	M30.5×0.5	
Working Temperature	-20°C~+60°C	



View Angle	Remark	Item	Signature	Date			
		Drawing					
		Design					
		Check					
		Approve					
		Paper Size	A4				
Revised Date	2017-10-14	Scale	1:1	Page	1/1 Total Page	Version	V1.0

OPT Machine Vision Co.,Ltd.

OPT-C5025-5M-LW

Copyright © 2011 by OPT
All Rights Reserved

Drawing Code: KDBZ20171125K05005

IT14

1

2

3

4

1

2

3

4