

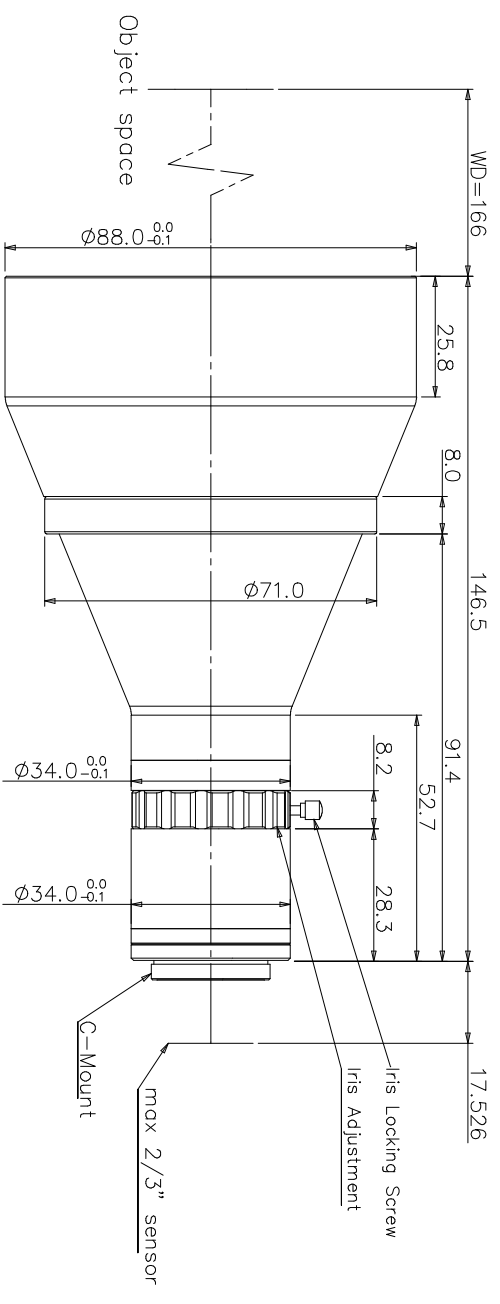
A

B

C

D

Optical Specifications	
Magnification (X)	0.166
Working Distance (mm)	166±3
Telecentricity(°)	<0.1
Distortion (%)	<0.1
Depth Of Field (mm)	9.88
MTF30 (lp/mm)	>260
Aperture	3.3
Object Space NA	0.025
O/I Distance (mm)	329±3
Length (mm)	146.5
Sensor Size (φ mm)	11.0(2/3")
Mount	C-Mount
Weight (kg)	0.606



View Angle	Remark
	Standard Difference

Item	Signature	Date
Drawing		
Design		
Check		
Approve		



广东奥普特科技股份有限公司

OPT-AS0166-166A

Copyright © 2011 by OPT All Rights Reserved	
Drawing Code	KPPD20171130K08007

TT14	
Revised Date	2017-11-30

Scale	3:2	Page	1/1 Total Page	Version	V1.0.1
-------	-----	------	----------------	---------	--------

4 3 2 1