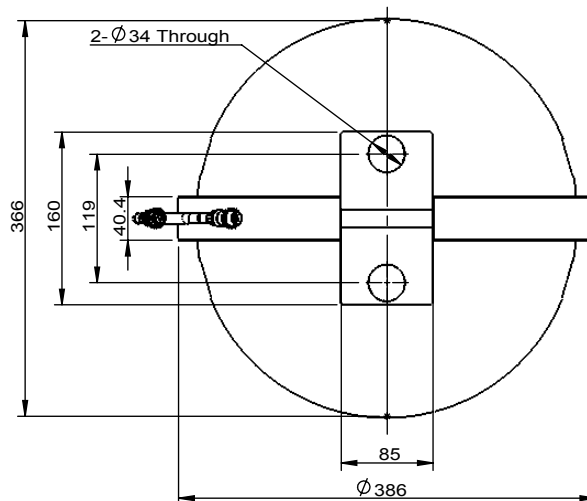
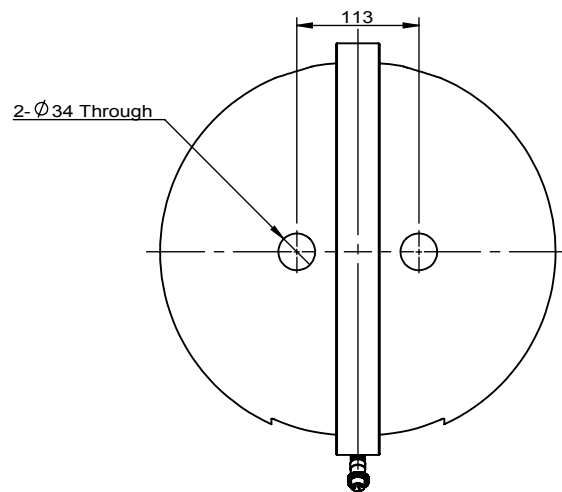
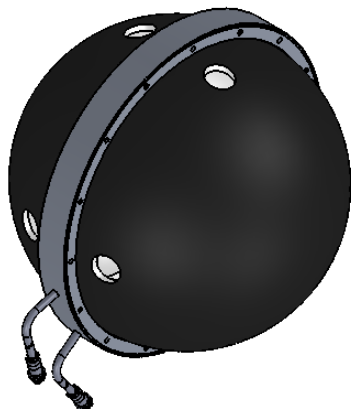
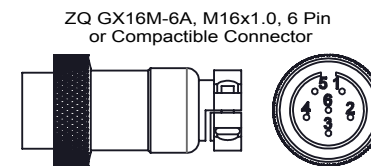
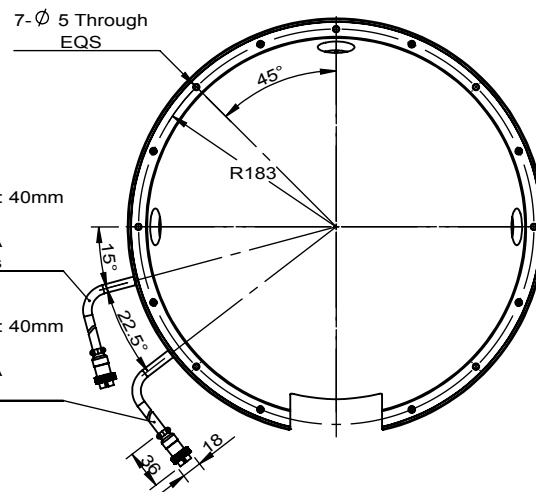


Model	Color	Current	Power
OPT-RID350-RB	Red	1.8A	43.2W
	Blue	2.0A	48W



Minimum Bending Radius: 40mm
 Length: 1000±20mm
 Connector: ZQ GX16M-6A
 Control the blue LED lights

Minimum Bending Radius: 40mm
 Length: 1000±20mm
 Connector: ZQ GX16M-6A
 Control the red LED lights



Pin	Pin Definition
1	Light +
2	Light -
3	Fan +
4	Fan -
5	NC*
6	NC*

* DO NOT CONNECT ANY COMPONENT

View Angle	Remark	Item	Signature	Date
		Drawing		
Standard Difference	1. Red LED alternate with blue; 2. Advised Controller: OPT-APA3024 OPT-DPA6024 OPT-APA6024	Design		
		Check		
		Approve		
IT14		Paper Size	A ₄	
		Revised Date	2016-01-11	



OPT-RID350-RB

Copyright © 2011 by OPT
 All Rights Reserved

Drawing Code: SJFB20151229A0601