
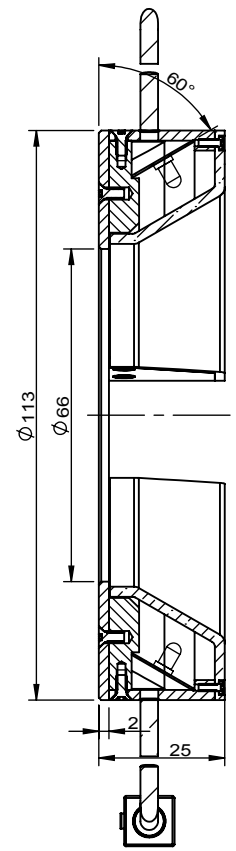
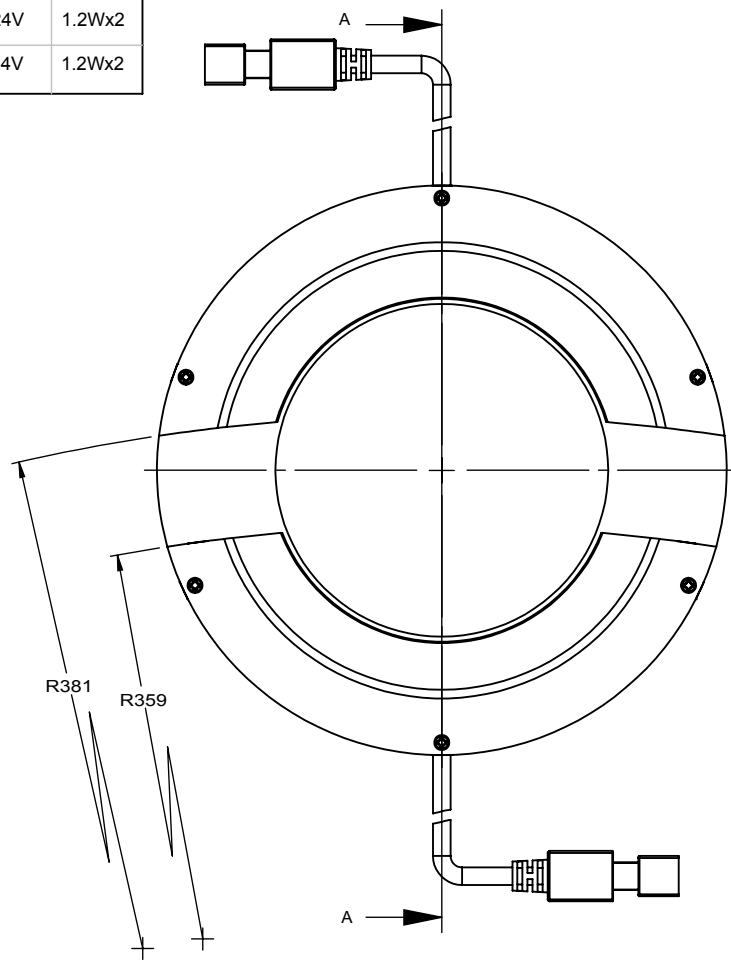
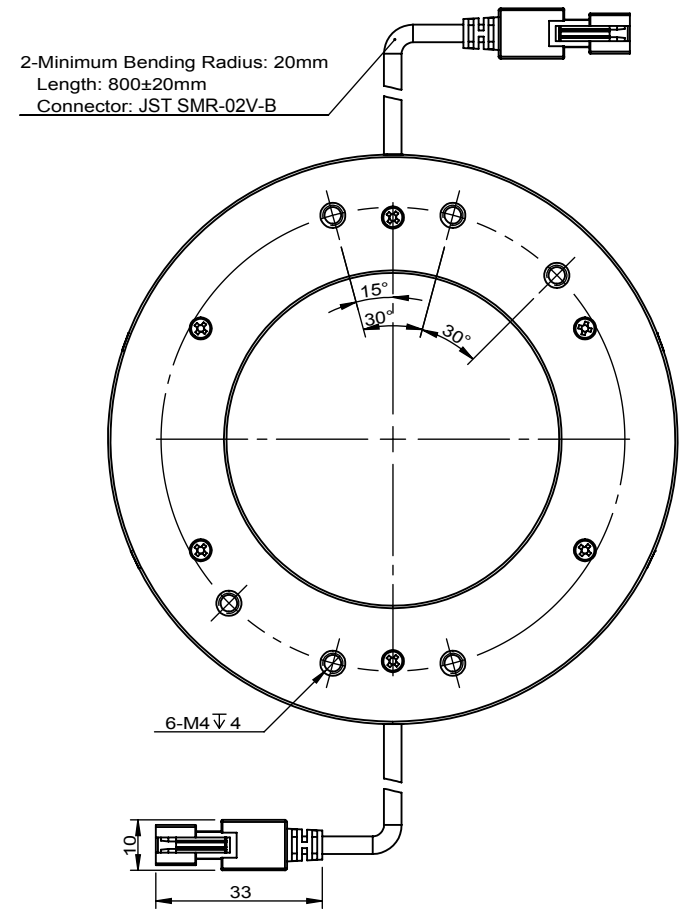



Model	Color	Voltage	Power
OPT-RI11360-G	White	24V	1.2Wx2
	Red	24V	0.9Wx2
	Green	24V	1.2Wx2
	Blue	24V	1.2Wx2

JST SMR-02V-B, 2 Pin or Compactible Connector		Pin	Polarity	Wire Color
		1	+	Red
		2	-	Black



Sectional View A-A



View Angle	Remark	Item	Signature	Date			
	1. Open circular trough in the middle, two parts are controlled separately; 2. Advised Controller: OPT-AP1024F OPT-DPA1024E OPT-DPH20048 OPT-DPM0524E OPT-APM0524B	Drawing					
Standard Difference		Design					
IT14		Check					
		Approve					
		Paper Size	A ₄				
Revised Date	2016-01-11	Scale	1:1.5	Page	1/1 Total Page	Version	V1.0.1



OPT-RI11360-X

Copyright © 2011 by OPT
All Rights Reserved

Drawing Code	SJFB20160109A0601
--------------	-------------------