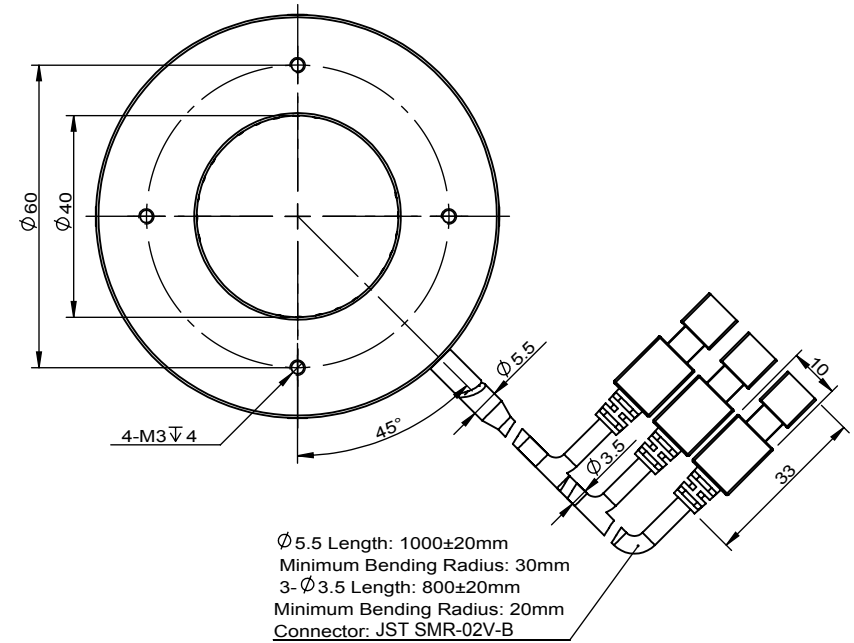
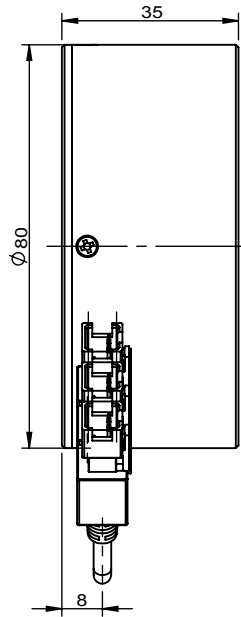
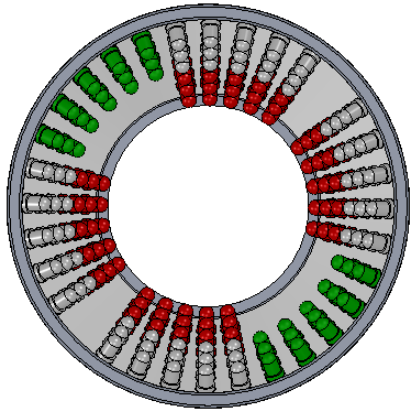


Model	Color	Voltage	Power
OPT-RI8060-RGW	Red	12V	3.5W
	Green	12V	2.9W
	White	12V	5.8W

JST SMR-02V-B, 2 Pin or Compactible Connector		Pin	Polarity	Wire Color
		1	+	Red
		2	-	Black



View Angle	Remark	Item	Signature	Date	 OPT MACHINE VISION OPT-RI8060-RGW				
	Advised Controller: OPT-AP1012F	Drawing							
		Design							
		Check							
		Approve							
IT14		Paper Size	A₄						
		Revised Date	2016-01-13	Scale	1:1.5	Page	1/1 Total Page	Version	V2.0.5

Copyright © 2011 by OPT
All Rights Reserved

Drawing Code: SJFB20160113A0601