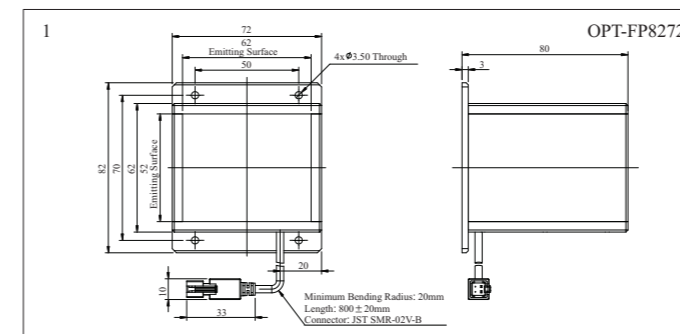




Model Table

No.	Model	Output ●	Output ● ● ●	Recommended controller
1	OPT-FP8272	24V/0.9W	24V/3.2W	OPT-DPA1024E

Dimensional Drawings [mm]



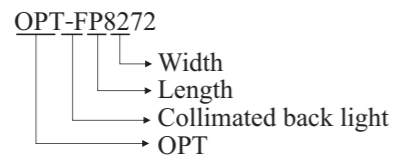
Product Features

- 1 Highly parallel light provides optimal contrast of an object shape when used as back light
- 2 First choice for edge measurement and defect inspection on smooth surfaces
- 3 For use with coaxial optical systems for the inspection of scratches or other defects on smooth surfaces

Application Cases

- ◆ Highly accurate geometric measurement of parts
- ◆ Electronic component outline inspection
- ◆ Inspection of objects with very small structure

Selection Guide

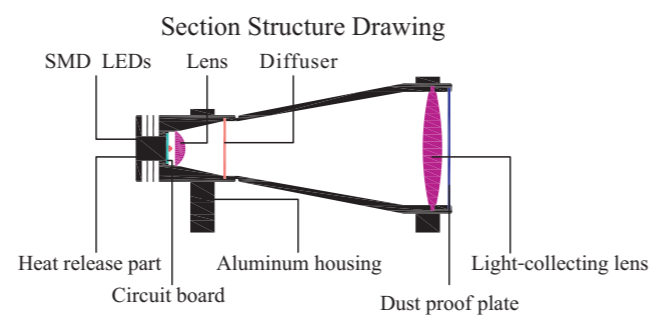
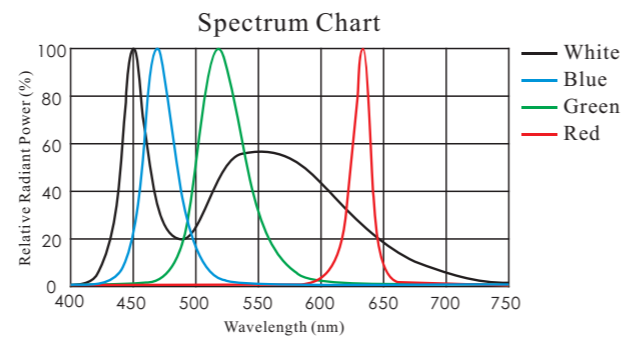
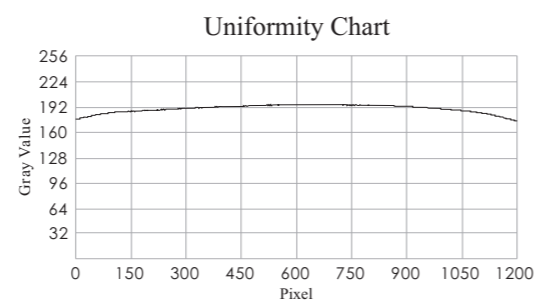


Customization Options

Customization Options menu:

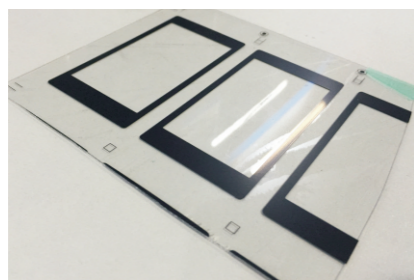
- Color
- Mount method
- Emitting surface
- Shape and size
- Connector

Accompanying image of the OPT-FP8272 collimated back light unit.



Application Example

Inspected item: Inner frame of a mobile phone screen



Original Image



Result Image